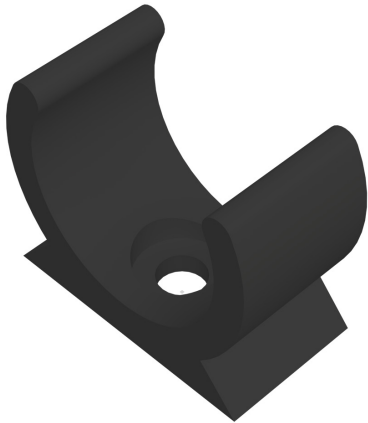


PRODUCT CODE: PRSC20B
PVC RETAINING CLIP



DESCRIPTION

20mm PVC Retaining Clip

FINISH

Black

MATERIAL

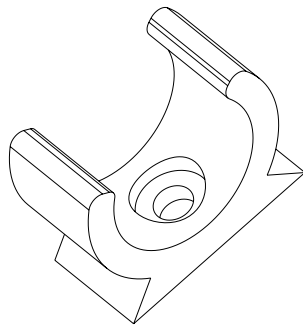
PVC

PACKAGING

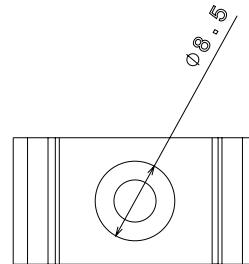
Packed in qty 100

ADDITIONAL NOTES

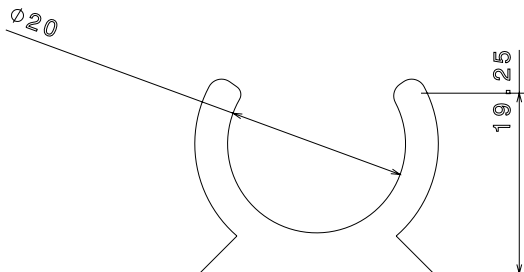
Manufactured to BS4607 part 1



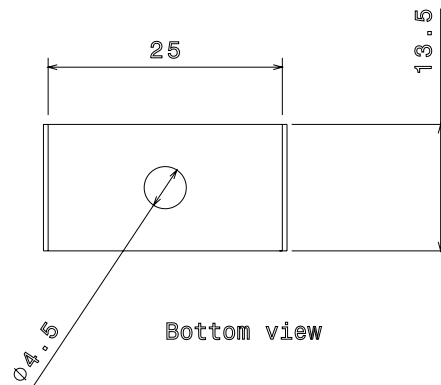
Isometric view



Top view



Side view



Bottom view